



qvi30fb
GAS FIREBRICK® FIREPLACE

QUADRA-FIRE®
NOTHING BURNS LIKE A QUAD



qvi30fb



← Town Square with cabinet doors shown in black. Also available in hammered pewter.



→ Sun Prairie with cabinet doors shown in hammered pewter. Also available in black.

FireBrick® technology from Quadra-Fire offers you a stunning new alternative for upgrading your existing fireplace. Utilizing a new patented process, the firebox and interior brick lining are molded from FireBrick material to capture that traditional wood fireplace look. This seamless firebox construction also allows us to use larger glass, giving you a better view into those soothing flames and logs. This quiet and durable material is extremely efficient. FireBrick pushes the heat into the room instead of absorbing and losing heat into the fireplace itself. Three front options are available in several finishes to help you complement your original fireplace and room décor. The model qvi30fb will operate during an electrical power outage and is the best choice for high efficiency and heat output in mid-size fireplaces.



Standard Features

- 396 sq. in. of viewing glass
- High efficiency FireBrick firebox
- Variable speed blower (160 cfm)
- Six-piece glowing log set
- Tapered firebox
- Decorative andirons
- Adjustable flame
- Quiet operation
- Bedroom approved

Options

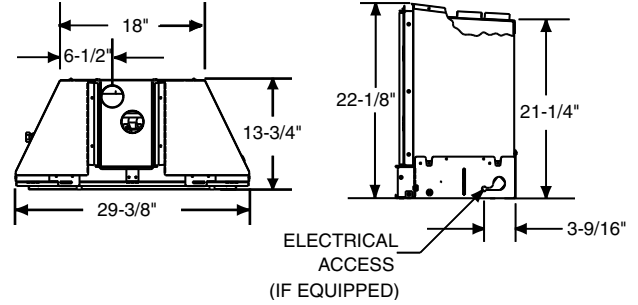
- 3 available fronts
 - Remington Avenue
 - Sun Prairie with cabinet doors
 - Town Square with cabinet doors
- 3 panel sizes
 - Standard (40" x 27")
 - Medium (40" x 32")
 - Large (44" x 32")
- Adjustable hearth support
- Cutting edge surround
- 3 remote controls, including On/Off with digital thermostat control
- 2 wall thermostats

Cover photo: qvi30fb shown with Remington front in black finish and cutting edge surround

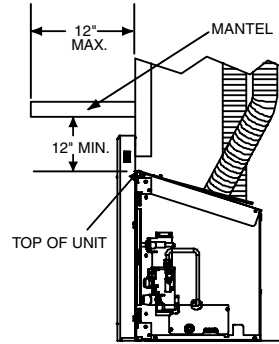


1445 North Highway, Colville, WA 99114
www.quadrafire.com • 800-926-4356
QDF-1013U-1006

Dimensions



Clearances



MINIMUM FIREPLACE SIZE

Location	inches	millimeters
Front Width	30-1/4	768
Rear Width	19	483
Depth	14-1/8	359
Height*	22-1/2	572

*NOTE: If exhaust collar on insert and fireplace damper do not line up, add 4 inches (102 mm) to minimum fireplace height for bends in vent pipe.

Technical & Performance Data

- Width (front)..... 29 3/8"
- Width (back)..... 18"
- Height (back)..... 21 1/4"
- Depth 13 3/4"
- Shipping Weight..... 110 lbs.
- Flue Size Dual 3" Direct Vent Chimney Liner
- Heating Capacity* up to 1,800 sq. ft.
- BTU Input NG 27,000 – 38,000
- BTU Input LP 22,000 – 36,000
- Efficiency* up to 79% NG/81% LP
- Canadian EnerGuide Efficiencies 43.17% NG/46.17% LP

Quadra-Fire offers a Limited Lifetime Warranty on our gas heating appliances to the original purchaser for the lifetime of the appliance, to be free from defects in material and workmanship. See your authorized Quadra-Fire dealer for details.



IMPORTANT - READ BEFORE YOU INSTALL!

Refer to the Owner/Installation Manual for complete clearance requirements and specifications. The images and descriptions in this brochure are provided to assist you in product selection only. *Heating capacity rating and efficiencies are to be used as a guideline only. Actual performance may differ slightly due to climate, building construction and condition, amount and quality of insulation, location of the heater, and air movement in the room.

Quadra-Fire is a registered trademark of Hearth & Home Technologies. Product specifications and pricing subject to change without notice. The Quadra-Fire qvi30fb direct vent gas fireplace heater is listed by Underwriters Laboratories and is approved for Canada and USA to ANSI Z21.88-2002/CSA 2.33-2002, Vented Gas Fireplace Heaters, and UL307B.

Available From: