



LOAD
LIGHT
LIVE

The operation of wood burning stoves just became a whole lot easier.

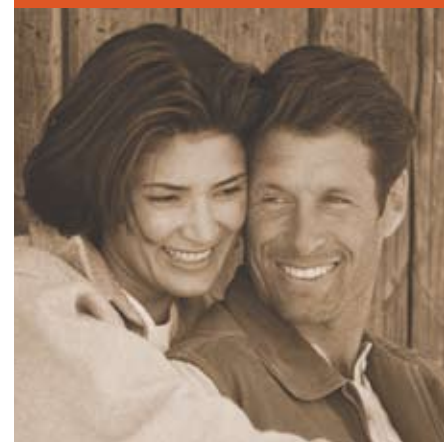
3100 MILLENNIUM WOOD STOVE

Easier. It's a word that you can now include in your wood burning vocabulary. You can also add "fast-lighting" and "efficient," because the Quadra-Fire Automatic Combustion Control (ACC) technology is going to change the way you currently talk about lighting and burning wood. Our exclusive ACC technology delivers precision airflow management for longer, cleaner and more efficient burns. It allows you to easily start the fire, set the heat level you desire and then walk away from the unit without any worries. Basically, you load, light, and live.

QUADRA-FIRE[®]
NOTHING BURNS LIKE A QUAD



Automatic Combustion Control Lever

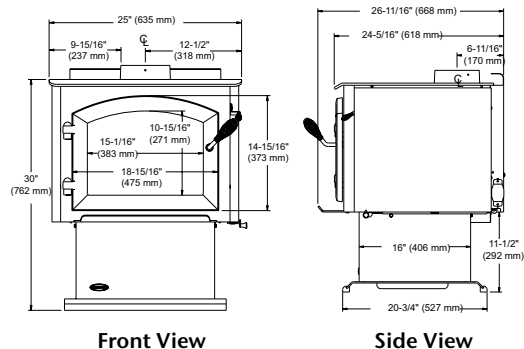




3100 MILLENNIUM WOOD STOVE



DIMENSIONS



Front View

Side View

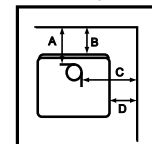
CLEARANCES[†]

	Full Vertical or Horizontal*		90° Elbow**		Alcove
	Single Wall	Double Wall	Single Wall	Double Wall	Double Wall
A	15.25	10.5	12	8	11.75
B	11.75	6.5	8.5	4.5	8.25
C	25.5	22	22	17.5	23.5
D	16	13	13	8.5	14.5
E	8	6.5	8	6.5	N/A
F	17	15.5	17	15.5	N/A
G	48	48	48	48	48

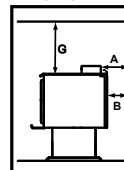
* with minimum 2-foot vertical off stove top

** off top of stove through back wall

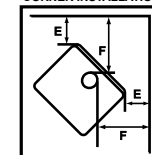
BACKWALL / SIDEWALL



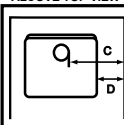
ALCOVE SIDE VIEW



CORNER INSTALLATION



ALCOVE TOP VIEW



Lighting the fire is easy!

Our exclusive Automatic Combustion Control system takes care of the fire for you. It allows you to easily start a fire, set heat settings and walk away from the stove. Basically you can load, light, and live.

Advanced Combustion Technology (ACT)

Rated by the EPA as the cleanest burning non-catalytic wood stoves for 19 consecutive years in a row, the Quadra-Fire 3100 Millennium continues the tradition with a phenomenal current emission rating of only 1.1 grams per hour!

Unmatched Performance

Quadra-Fire ACT technology is so advanced, no stove line can compare. You enjoy easy operation and responsive performance at all burn rates. Each stove features an easy-to-load 2 cubic foot firebox for overnight burns of up to 8 hours to efficiently heat homes 1,300 to 2,200 square feet depending on your climate region.

Patented Combustion System

Quadra-Fire's patented four-point combustion system achieves its secondary burn process in four distinct zones of the combustion chamber. In each of these zones, heat that would escape up the chimney of a conventional wood stove is, instead, captured to warm your home. The bottom line is cleaner air, less chimney maintenance, and fewer trips to the woodpile.

STANDARD FEATURES

- Precision air controls with labels for easy operation
- Automatic Combustion Control for easy lighting
- Durable welded steel construction
- 6" cast iron flue collar
- Arched cast iron door
- Convective heat shields
- Firebrick lined firebox
- High temperature ceramic glass
- Patented four-point Quadra-Fire combustion system

- 11,800 – 32,000 Btu/Hour EPA test fuel[‡]
- Up to 52,000 Btu/Hour cordwood[‡]
- Up to 79.5% thermal efficiency[‡]
- 1.1 grams/hour particulate emissions
- Holds up to 18" wood, 16" ideal
- High temperature classic black finish with gold accents

OPTIONS

- Door upgrade kit, satin nickel (spring handles and hinge pins)
- Outside air kit

Quadra-Fire offers a Limited Lifetime Warranty on our wood heating appliances to the original purchaser for the lifetime of the appliance, to be free from defects in material and workmanship. For full warranty details go to www.quadrafire.com.



[†]Refer to the Owner/Installation Manual for complete clearance requirements and specifications.
[‡]Heating capacity and efficiency may differ due to climate, building construction and condition, amount and quality of insulation, location of the unit, type of fuel used and air movement in the home. Btu output will vary, depending on the type of fuel used. Appliance requires standard maintenance in accordance with the owner's manual.

The images and descriptions in this brochure are provided to assist you in product selection only. Quadra-Fire is a registered trademark of Hearth & Home Technologies. Product specifications and pricing subject to change without notice.

Available From:



1445 North Highway, Colville, WA 99114
www.quadrafire.com • 800-926-4356

QDF-1025U-1107