



LOAD
LIGHT
LIVE

4300 Millennium gives you advanced performance with easy operation

4300 Millennium is sized for longer overnight burns and larger firewood. Our most efficient and cleanest burning design.

4300 MILLENNIUM WOOD STOVE

Load. Light. Live. The 4300 Millennium is two inches deeper than our 3100 firebox, but it uses the same Quadra-Fire four-point combustion design and easy-to-use controls. After lighting your fire, close the door and engage the start-up air control. After the fire is lit, the stove will turn down to your desired burn rate.

All Quadra-Fire Millennium stoves come standard with a pedestal and one-piece top giving the stove a simple, clean-line design. Thick plate steel, heavy duty hinges, and a fully welded, brick-lined firebox will give you years of dependable everyday use.

QUADRA-FIRE[®]
NOTHING BURNS LIKE A QUAD



Set your
desired burn rate



Engage
start-up air control

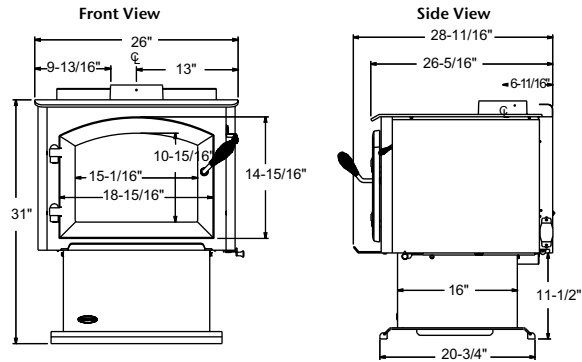


4300 MILLENNIUM WOOD STOVE



Shown with black door

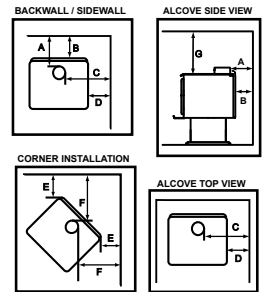
DIMENSIONS



CLEARANCES[†]

	Full vertical or horizontal*		90° elbow**
	Single Wall	Double Wall	Double Wall
A	15.5"	9"	8.5"
B	11.75"	5.25"	6"
C	24.5"	24.5"	24.5"
D	14.5"	14.5"	15"
E	10"	10"	10"
F	17.5"	17.5"	17.5"
G	53.5"	53.5"	53.5"

*With minimum 2 ft. vertical off stove top
 **Off top of stove through backwall



STANDARD FEATURES

- 11,800 - 38,200 BTU/Hour EPA test fuel[‡]
- Up to 57,370 Btu/Hour cord wood[‡]
- Up to 79.8% thermal efficiency[‡]
- 1.0 grams/hour particulate emissions
- Holds up to 20" wood, 18" ideal
- Precision air controls with labels for easy operation
- Automatic Combustion Control for easy lighting
- Patented four-point Quadra-Fire combustion system
- Durable welded steel construction
- Firebrick lined firebox
- 6" cast iron flue collar
- High temperature classic black finish with gold accents
- Arched cast iron door in black, satin nickel trim or gold trim
- Convective heat shields

OPTIONS

- Gold trim or satin nickel trim door
- Door upgrade kit in satin nickel (includes spring handles and hinge pins)
- Outside air kit
- Convection blower with adjustable speed and temperature switch

Lighting the fire is easy!

Start with some paper or firestarter. Add some kindling, wood shavings, or twigs, then put some larger pieces of dry wood on top. Now light the paper with a match, shut the door and set the air controls. The stove will do the rest. Load, light and live.

Advanced Combustion Technology (ACT)

Rated by the EPA as the cleanest burning non-catalytic wood stoves for 19 years in a row, the Quadra-Fire 4300 Millennium raises the bar, and is our cleanest burning stove with an emission rating of only 1 grams per hour! It uses Quadra-Fire's patented four-point combustion system, which achieves its secondary burn process (burns the smoke) in four distinct zones of the firebox. This results in cleaner air, less chimney maintenance and fewer trips to the wood pile.

Optional Adjustable Blower

If you want to speed up heat circulation around your home, add the variable speed blower. It attaches out of sight behind the pedestal and blows air up the back of the stove and across the stove top. It has a temperature switch that turns on the blower when the stove is hot and shuts off when the stove cools down. You adjust the speed of the blower with the included rheostat.

Unmatched Performance

The 4300 Millennium features an easy-to-load, 2.4 cubic foot firebox for overnight burns of up to 8 hours to efficiently heat homes 1,500 to 2,400 square feet, depending on your climate region. Our front-to-back design is safer for loading wood and gives you a more controllable fire.

Cover: 4300 Millennium shown with gold trim door and gold accents

QUADRA-FIRE[®]

NOTHING BURNS LIKE A QUAD

1445 North Highway, Colville, WA 99114
 www.quadrafire.com • 800-926-4356

Quadra-Fire offers a Limited Lifetime Warranty on our wood heating appliances to the original purchaser for the lifetime of the appliance, to be free from defects in material and workmanship. For full warranty details go to www.quadrafire.com.



[†]Refer to the Owner/Installation Manual for complete clearance requirements and specifications.
[‡]Heating capacity and efficiency may differ due to climate, building construction and condition, amount and quality of insulation, location of the unit, type of fuel used and air movement in the home. Btu output will vary, depending on the type of fuel used. Appliance requires standard maintenance in accordance with the owner's manual.

The images and descriptions in this brochure are provided to assist you in product selection only. Quadra-Fire is a registered trademark of Hearth & Home Technologies. Product specifications and pricing subject to change without notice.

Available From: